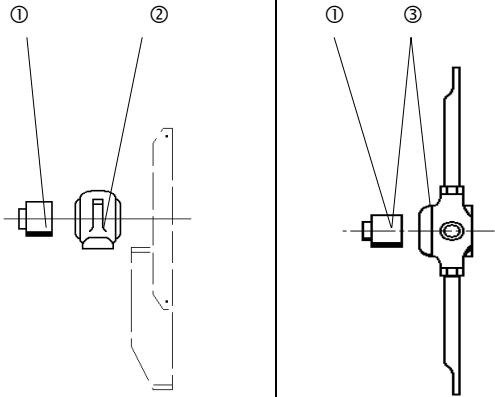
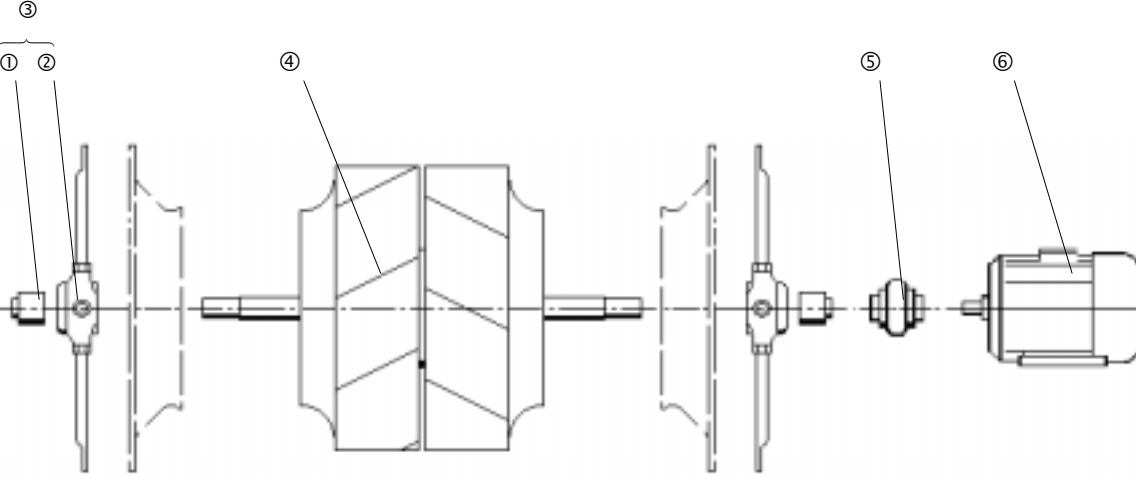


RZM	13		15		RZM	13	15
	①	②	①	③		④	④
				Art.-Nr.		Art.-Nr.	Art.-Nr.
0400	2307K/C3 + H2307	SNH 607 TG	2307K/C3 + H2307	21 804	0400	25 073	20 961
0450				33 121	0450	43 584	25 079
0500				33 123	0500	25 077	25 099
0560	2309K/C3 + H2309	SNH 609 TG	2309K/C3 + H 2309	33 125	0560	25 079	20 970
0630				33 133	0630	25 081	20 975
0710	2311K/C3 + H 2311	SNH 611 TG	2311K/C3 + H 2311	33 135	0710	25 083	20 980
0800				35 531	0800	25 085	25 101
0900	2313K/C3 + H2313	SNH 613 TG	2313K/C3 + H2313	35 579	0900	25 089	25 103
1000				35 611	1000	25 093	25 105
1120	22216 EK/C3 + H316	SNH 516 TG	-	-	1120	Lr 1120	-
1250	22218 EK/C3 + H318	SNH 518 TG	-	-	1250	Lr 1250	-
1400	22220 EK/C3 + H320	SNH 520 TG	-	-	1400	Lr 1400	-
				(RZM 15-0400-/.1000)			

# GebhardtVentilatoren

## Ersatzteile RZM

Spareparts, Pièces Détachées, Pezzi Di Ricambio,  
Repuesto, Peças De Reserva, Reserve Onderdelen,  
Reservedele, Reservdelar, Varaosia

Gebhardtstraße 19-25; D 74638 Waldenburg; Telefon +49 (0)7942 101 0; Telefax +49 (0)7942 101 170; E-mail: info@gebhardt.de; www.gebhardt.de

RZM	13 / 15		RZM	13 / 15		RZM	13 / 15		RZM	13 / 15	
	⑤	⑥		⑤	⑥		⑤	⑥		⑤	⑥
0400-2D-26	F-60-F	160Ma - 2	0500-4D-19	F-50-F	112M - 4		⑤	⑥		⑤	⑥
0400-2D-27	F-60-F	160Mb - 2	0500-4D-21	F-60-F	132Sa - 4	0710-4D-31	F-70-F	180L - 4	1000-6D-39	F-100-F	250M - 6
0400-4D-14	F-50-F	90L - 4	0500-4D-23	F-60-F	132Ma - 4	0710-4D-33	F-80-F	200La - 4	1000-6D-41	F-100-F	280S - 6
0400-4D-16	F-50-F	100La - 4	0500-4D-26	F-60-F	160Ma - 4	0710-4D-36	F-80-F	225S - 4	1000-6D-42	F-110-F	280M - 6
0400-4D-17	F-50-F	100Lb - 4	0500-4D-28	F-70-F	160L - 4	0710-4D-37	F-90-F	225M - 4	1000-8D-33	F-80-F	200La - 8
0400-4D-19	F-50-F	112M - 4	0500-4D-30	F-70-F	180M - 4	0710-6D-26	F-70-F	160Ma - 6	1000-8D-36	F-80-F	225S - 8
0400-4D-21	F-60-F	132Sa - 4	0500-4D-31	F-70-F	180L - 4	0710-6D-28	F-70-F	160L - 6	1000-8D-37	F-90-F	225M - 8
0400-4D-23	F-60-F	132Ma - 4	0500-6D-14	F-50-F	90L - 6	0710-6D-31	F-70-F	180L - 6	1000-8D-39	F-90-F	250M - 8
0400-6D-11	F-50-F	80b - 6	0500-6D16	F-50-F	100La - 6	0710-8D-23	F-70-F	132Ma - 8			
0400-6D-13	F-50-F	90S - 6	0500-6D-19	F-50-F	112M - 6	0710-8D-26	F-70-F	160Ma - 8	RZM	13	
0400-6D-14	F-50-F	90L - 6	0500-6D-21	F-60-F	132Sa - 6		⑤	⑥		⑤	⑥
	⑤	⑥		⑤	⑥	0800-4D-37	F-90-F	225M - 4	1120-6D-45	F-120-F	315M - 6
0450-2D-28	F-60-F	160L - 2	0560-4D-21	F-60-F	132Sa - 4	0800-4D-39	F-100-F	250M - 4	1120-6D-44	F-120-F	315S - 6
0450-2D-30	F-70-F	180M - 2	0560-4D-23	F-60-F	132Ma - 4	0800-6D-28	F-70-F	160L - 6	1120-8D-44	F-120-F	315S - 8
0450-4D-16	F-50-F	100La - 4	0560-4D-26	F-60-F	160Ma - 4	0800-6D-31	F-70-F	180L - 6	1120-8D-42	F-120-F	280M - 8
0450-4D-17	F-50-F	100Lb - 4	0560-4D-28	F-70-F	160L - 4	0800-6D-33	F-80-F	200La - 6	1120-8D-41	F-110-F	280S - 8
0450-4D-19	F-50-F	112M - 4	0560-4D-30	F-70-F	180M - 4	0800-6D-34	F-80-F	200Lb - 6	1120-8D-39	F-100-F	250M - 8
0450-4D-21	F-60-F	132Sa - 4	0560-4D-31	F-70-F	180L - 4	0800-6D-37	F-90-F	225M - 6		⑤	⑥
0450-4D-23	F-60-F	132Ma - 4	0560-4D-33	F-80-F	200La - 4	0800-6D-39	F-100-F	250M - 6	1250-6D-48	F-140-F	315L - 6
0450-4D-26	F-60-F	160Ma - 4	0560-6D-19	F-60-F	112M - 6	0800-8D-27	F-70-F	160Mb - 8	1250-6D-47	F-140-F	315L - 6
0450-4D-28	F-70-F	160L - 4	0560-6D-21	F-60-F	132Sa - 6	0800-8D-28	F-70-F	160L - 8	1250-8D-46	F-140-F	315L - 8
0450-6D-13	F-50-F	90S - 6	0560-6D-23	F-60-F	132Ma - 6		⑤	⑥	1250-8D-45	F-140-F	315M - 8
0450-6D-14	F-50-F	90L - 6		⑤	⑥	0900-4D-41	F-110-F	280S - 4	1250-8D-44	F-120-F	315S - 8
0450-6D-16	F-50-F	100La - 6	0630-4D-28	F-70-F	160L - 4	0900-6D-34	F-80-F	200Lb - 6	1250-8D-42	F-120-F	280M - 8
			0630-4D-30	F-70-F	180M - 4	0900-6D-37	F-90-F	225M - 6		⑤	⑥
			0630-4D-31	F-70-F	180L - 4	0900-6D-39	F-100-F	250M - 6	1400-8D-48	F-160-F	315L - 8
			0630-4D-33	F-80-F	200La - 4	0900-6D-41	F-100-F	280S - 6	1400-8D-47	F-140-F	315L - 8
			0630-4D-36	F-80-F	225S - 4	0900-6D-42	F-110-F	280M - 6	1400-8D-46	F-140-F	315L - 8
			0630-6D-23	F-60-F	132Ma - 6	0900-8D-31	F-80-F	180L - 8			
			0630-6D-24	F-60-F	132Mb - 6	0900-8D-33	F-80-F	200La - 8			
			0630-6D-26	F-60-F	160Ma - 6						
			0630-8D-19	F-60-F	112M - 8						
			0630-8D-21	F-60-F	132Sa - 8						
	⑤	⑥		⑤	⑥		⑤	⑥		⑤	⑥
	